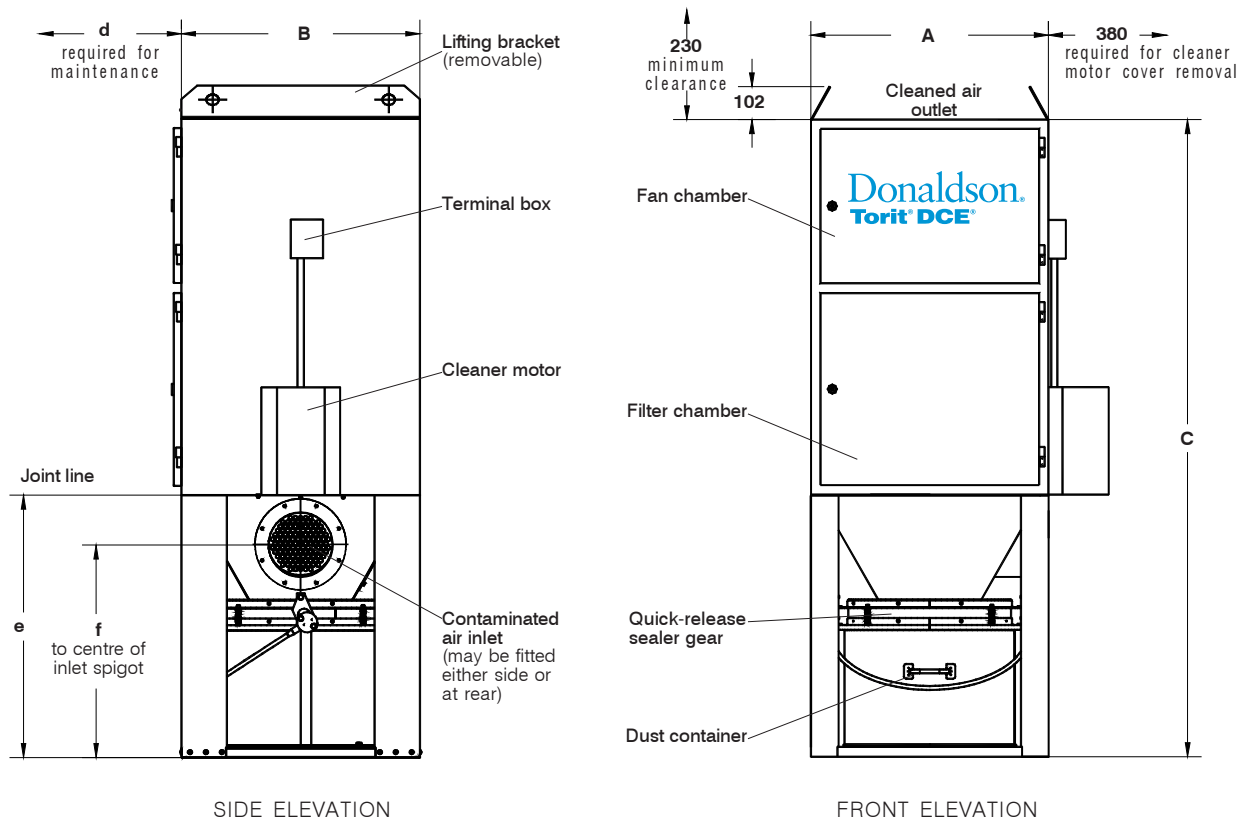


Unimaster Dust Collectors

Series UMA 70-250



SIDE ELEVATION

FRONT ELEVATION

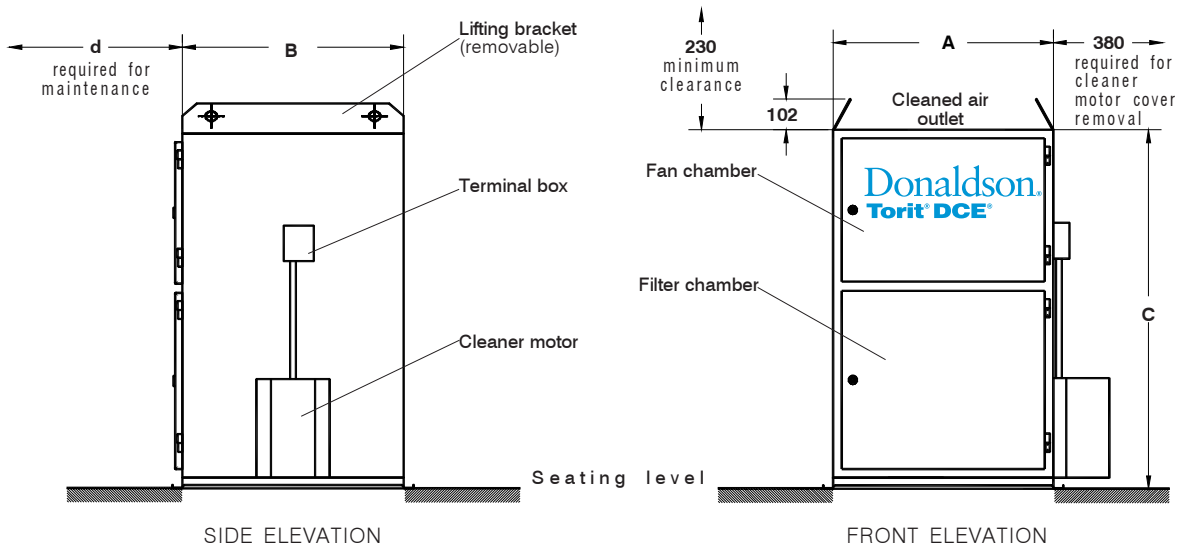
UNIMASTER DUST COLLECTOR WITH DUST CONTAINER

UMA 153 illustrated. Suitable for inside locations.

SPECIFICATIONS

Type	Filtration area	DIMENSIONS in mm						Inlet spigot (inside dia.) mm	Fan	Motor rating	Dust container	Net weight (approx.)
		A	B	C	d	e	f					
UMA 72	6.23 m ²	575	575	1794	600	729	648	∅ 101	G1	0.75 kW	55 litre	125 kg
UMA 103	9.29 m ²	765	575	1997	800	845	685	∅ 203	G1	0.75 kW	80 litre	195 kg
									K3	1.50 kW		225 kg
UMA 153	13.94 m ²	765	765	2057	800	845	685	∅ 203	G1	0.75 kW	80 litre	230 kg
									K3	1.50 kW		260 kg
									K5	2.20 kW		275 kg
									K7	3.00 kW		275 kg
									G8	5.50 kW		315 kg
UMA 253	22.67 m ²	1146	765	2271	1150	1061	883	∅ 254	G1	0.75 kW	80 litre	295 kg
									K3	1.50 kW		325 kg
									K5	2.20 kW		340 kg
									K7	3.00 kW		340 kg
									G8	5.50 kW		380 kg

Unimaster Dust Collectors – Series UMA 70-250

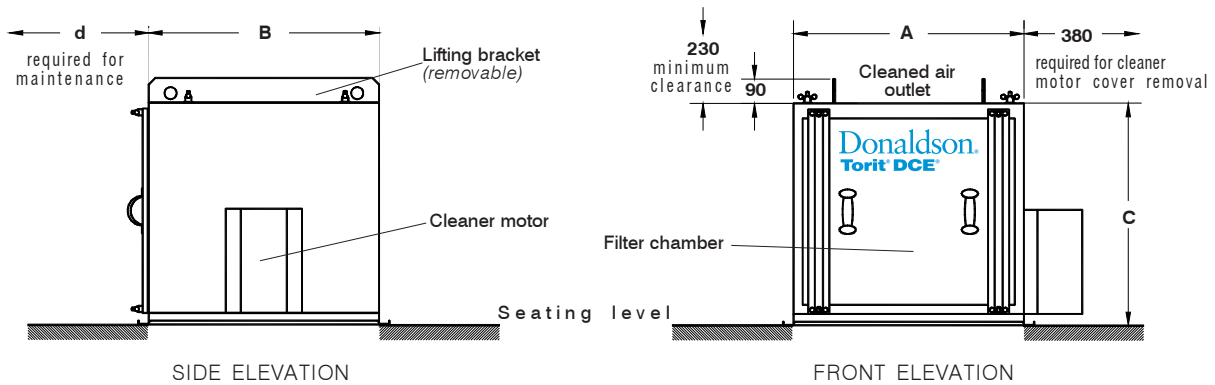


UNIMASTER HOPPER TYPE DUST COLLECTOR

UMA 150H illustrated. Suitable for inside locations.

SPECIFICATIONS								
Type	Filtration area	DIMENSIONS in mm				Fan	Motor rating	Net weight (approx.)
		A	B	C	d			
UMA 70H	6.23 m ²	575	575	1105	600	G1	0.75 kW	105 kg
UMA 100H	9.29 m ²	765	575	1190	800	G1	0.75 kW	150 kg
						K3	1.50 kW	180 kg
UMA 150H	13.94 m ²	765	765	1250	800	G1	0.75 kW	180 kg
						K3	1.50 kW	210 kg
						K5	2.20 kW	225 kg
						K7	3.00 kW	225 kg
						G8	5.50 kW	265 kg
UMA 250H	22.67 m ²	1146	765	1250	1150	G1	0.75 kW	215 kg
						K3	1.50 kW	245 kg
						K5	2.20 kW	260 kg
						K7	3.00 kW	260 kg
						G8	5.50 kW	300 kg

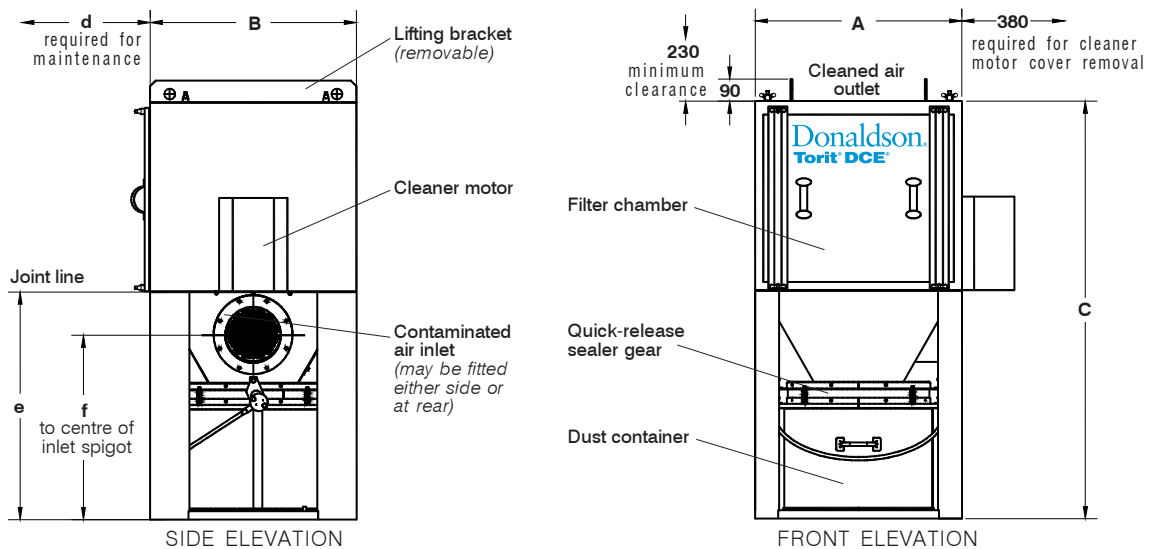
DUST CONTAINER			Typical dust densities		
Size	Approx net weight	Dust	Density with 50% voidage		
55 litre	5 kg	Sander	0.13 kg/litre		
80 litre	6 kg	Graphite	0.80 kg/litre		
A reasonable total load for removal by hand would be 25 kg			Sand		1.33 kg/litre
			Iron		3.58 kg/litre
			Steel		3.72 kg/litre



UNIMASTER VENTING TYPE DUST COLLECTOR

UMA 150V illustrated. Suitable for inside locations and outside when fitted with optional weather cowl.

SPECIFICATIONS						
Type	Filtration area	A	B	C	d	Net weight (approx.)
UMA 70V	6.23 m ²	575	575	678	560	85 kg
UMA 100V	9.29 m ²	765	575	678	560	117 kg
UMA 150V	13.94 m ²	765	765	735	760	142 kg
UMA 250V	22.67 m ²	1146	765	735	760	157 kg

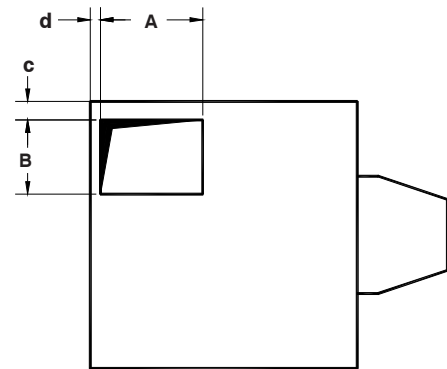


UNIMASTER VENTING TYPE DUST COLLECTOR WITH DUST CONTAINER

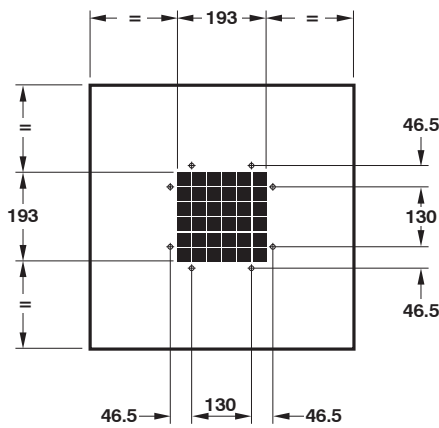
UMA 153V illustrated. Suitable for inside locations and outside when fitted with optional weather cowl.

SPECIFICATIONS										
Type	Filtration area	DIMENSIONS in mm						Inlet spigot (inside dia.) mm	Dust container	Net weight (approx.)
		A	B	C	d	e	f			
UMA 72V	6.23 m ²	575	575	1369	560	729	648	∅ 101	55 litre	123 kg
UMA 103V	9.29 m ²	765	575	1485	560	845	685	∅ 203	80 litre	170 kg
UMA 153V	13.94 m ²	765	765	1542	760	845	685	∅ 203	80 litre	197 kg
UMA 253V	22.67 m ²	1146	765	1758	760	1061	883	∅ 254	80 litre	237 kg

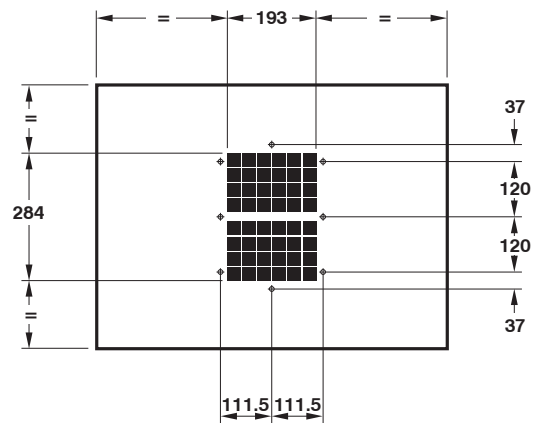
Type	DIMENSIONS in mm			
	A	B	c	d
UMA 70	220	160	40	22
UMA 100	320	180	20	24
UMA 150	370	285	110	20
UMA 250	380	285	110	205



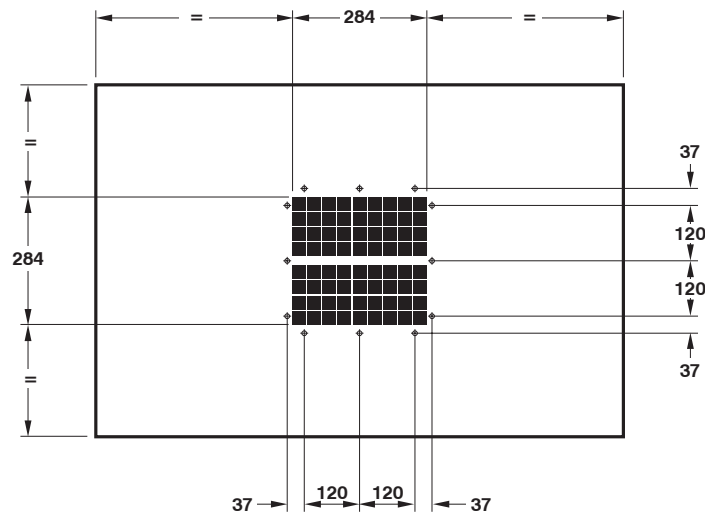
CLEANED AIR OUTLET DETAILS
 UMA 70 illustrated *For Standard & Hopper type



UMA 70V



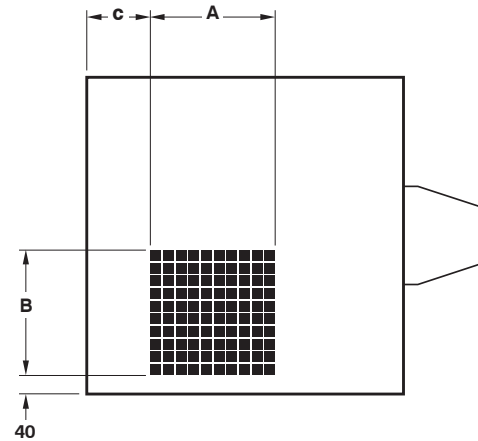
UMA 100V and 150V



UMA 250V

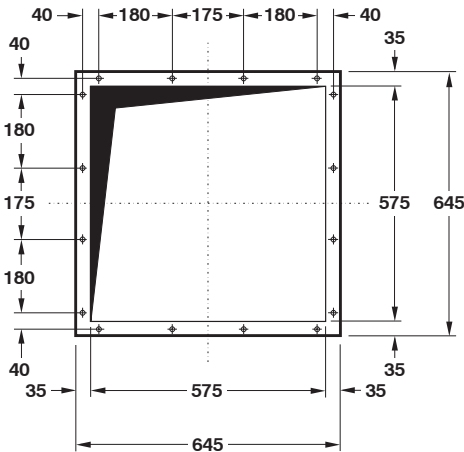
CLEANED AIR OUTLET DETAILS FOR VENTING TYPE COLLECTORS
 All holes $\varnothing 4$ mm

Type	DIMENSIONS in mm		
	A	B	c
UMA 70	225	225	116
UMA 100	295	250	116
UMA 150	320	320	116
UMA 250	340	340	403

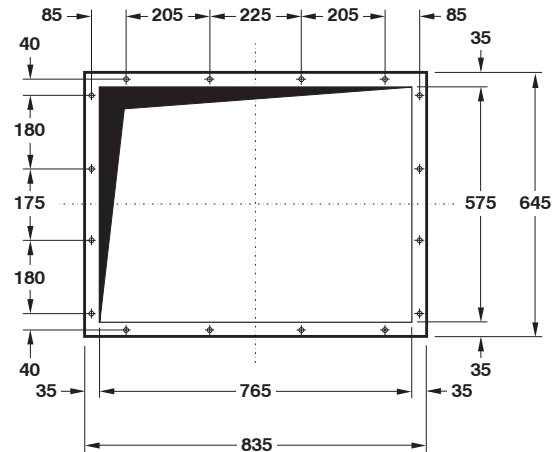


ACOUSTIC DIFFUSER CLEANED AIR OUTLET DETAILS

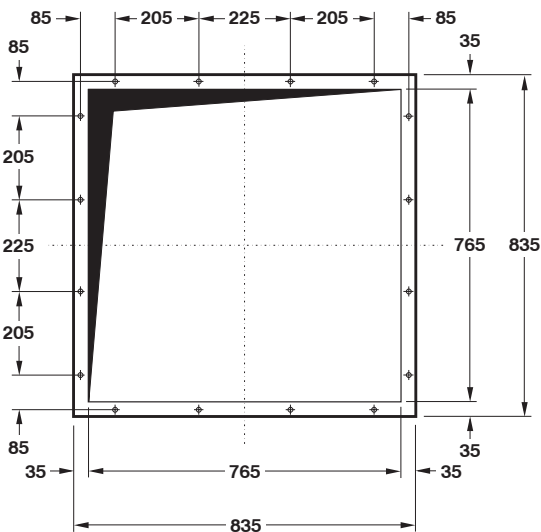
UMA 150 AD illustrated



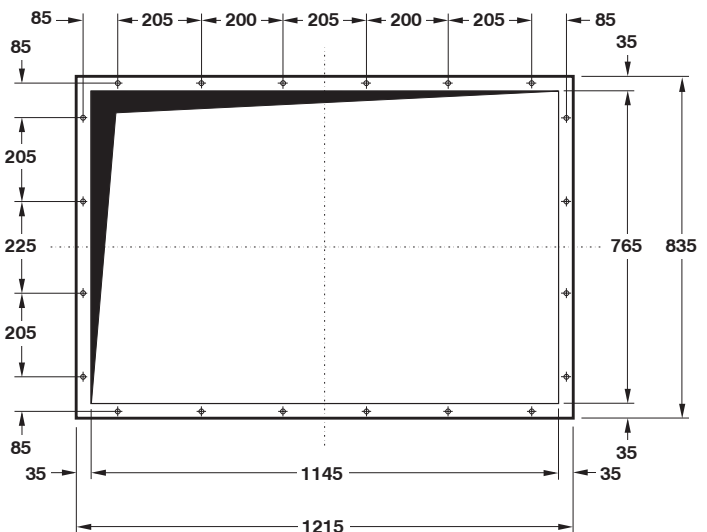
UMA 70H and 70V



UMA 100H and 100V



UMA 150H and 150V

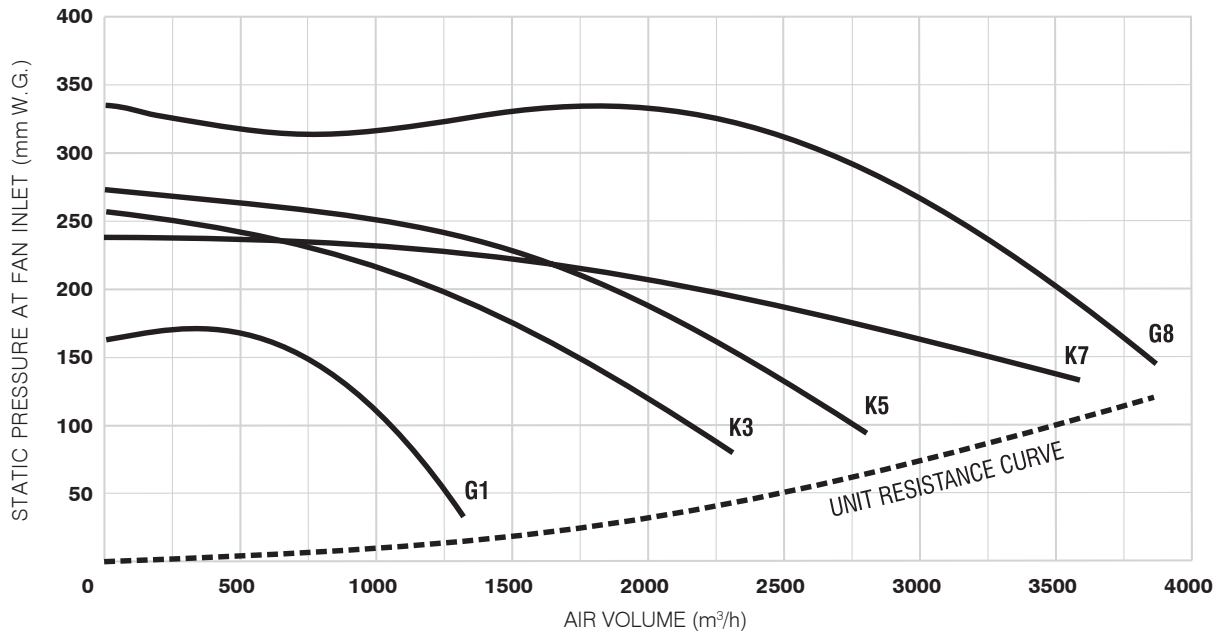


UMA 250H and 250V

APERTURE AND MOUNTING FLANGE DETAILS FOR HOPPER AND VENTING TYPE COLLECTORS

All holes Ø12 mm for M10 bolts

Unimaster Dust Collectors – Series UMA 70-250



UNIT PERFORMANCE CURVES

FAN SELECTION

These curves indicate static pressure available at fan inlet for a given volume when fitted inside a Unimaster dust collector.

To select the most suitable fan for a given application:

- 1 Determine the air volume, in m³/h, needed to entrain the dust.
- 2 Read off the unit resistance, in mm W.G., at air volume required.
- 3 Assess pressure drop over filter bags prior to cleaning, usually 50 to 100 mm W.G.
- 4 Estimate pressure drop through connected system – i.e. between point of entrainment and collector inlet.
- 5 The sum of 2, 3 and 4 = W.G. required.
- 6 Consult graph for fan performances available.

ELECTRICAL REQUIREMENTS

All collectors except venting type: Unimaster Controller type ECT or UC

Venting type collectors: Unimaster Controller type ECTV or UCV

Controller voltage input: Suitable for a range of single and three phase, 50-60 Hz operating voltages

Fan motor: To suit local voltage

WEIGHTED SOUND PRESSURE LEVELS

All readings were taken in normal industrial areas, i.e. semi-reverberant surroundings, with local equipment silent. Measurements were taken at maximum air flow conditions at 1.0 metre radius from the equipment housing and 1.6 metres above base level, using a precision sound level meter and octave filter.

	G1	K3	K5	K7	G8
Unit only	82 dB(A)	84 dB(A)	86 dB(A)	87 dB(A) [⊞]	90 dB(A)
With acoustic diffuser	65 dB(A)	67 dB(A)	68 dB(A)	69 dB(A) [⊞]	72 dB(A)
With secondary filter	—*	67 dB(A)	68 dB(A)	69 dB(A)	72 dB(A)
With absolute filter	—*	67 dB(A)	68 dB(A)	69 dB(A)	72 dB(A)

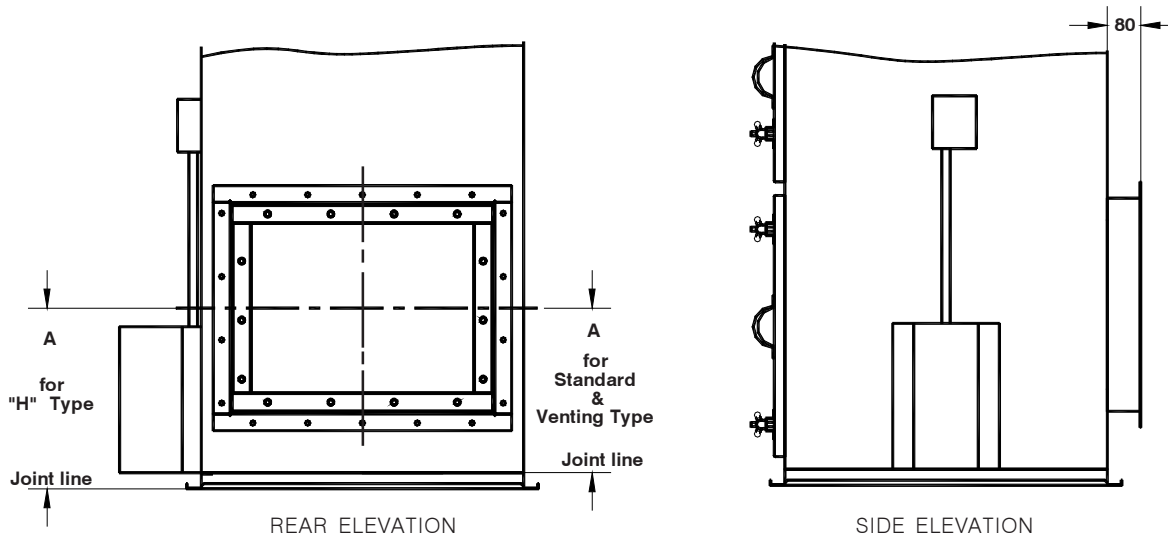
Noise levels of installed equipment may vary due to site conditions.
 *Secondary and absolute filter not supplied with G1 fan. ⊞Measured data.

DESIGN LIMITS (standard equipment)

Temperature range: -10° to +60°C

Pressure limits: Collectors with fan: as fan performance curves from shut-off to operating pressure
 Venting type collectors: -300 mm W.G.

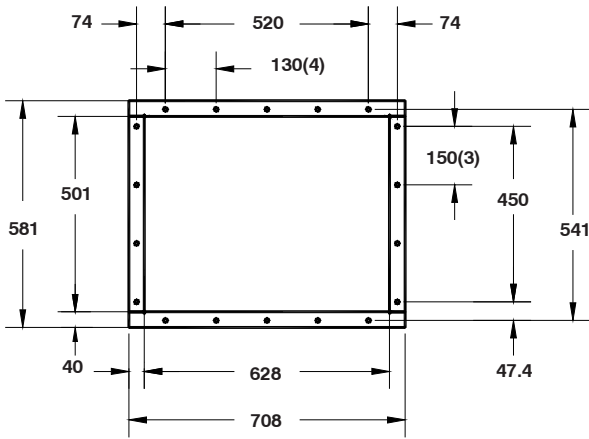
Dimension tolerances: ±3 mm on main dimensions; ±2 mm on detail dimensions



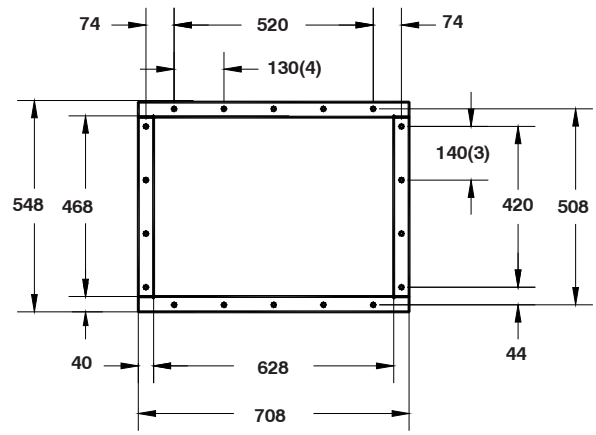
POSITION OF OPTIONAL EXPLOSION RELIEF FLANGE

UMA 153H illustrated

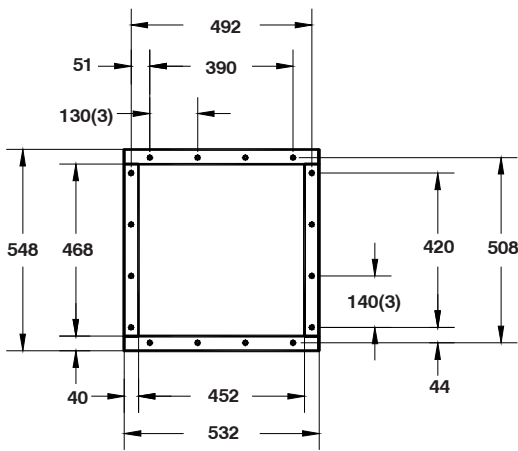
UMA type:	72	103	153	253	70H	100H	150H	250H	70V	100V	150V	250V	72V	103V	153V	253V
Dimension A in mm:	350	350	390	373.5	388	388	428	421.5	350	350	390	373.5	350	350	390	373.5



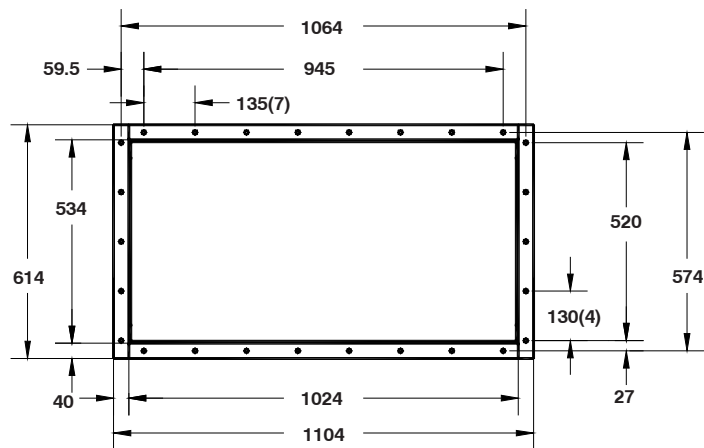
UMA 150



UMA 100



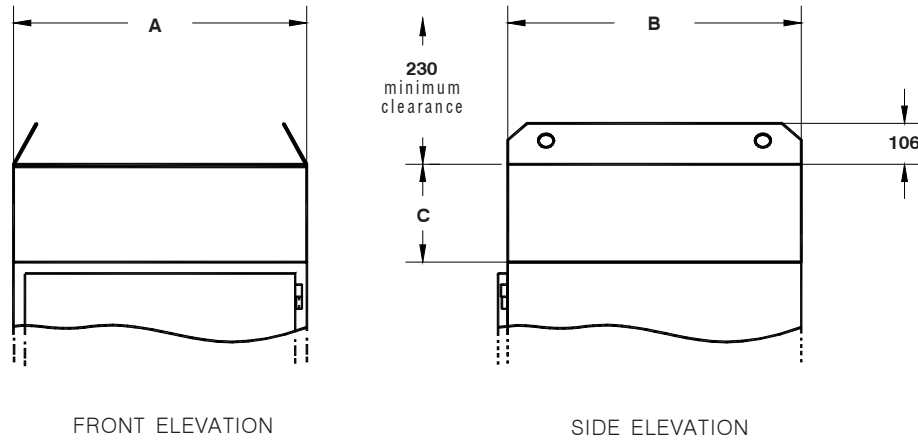
UMA 70



UMA 250

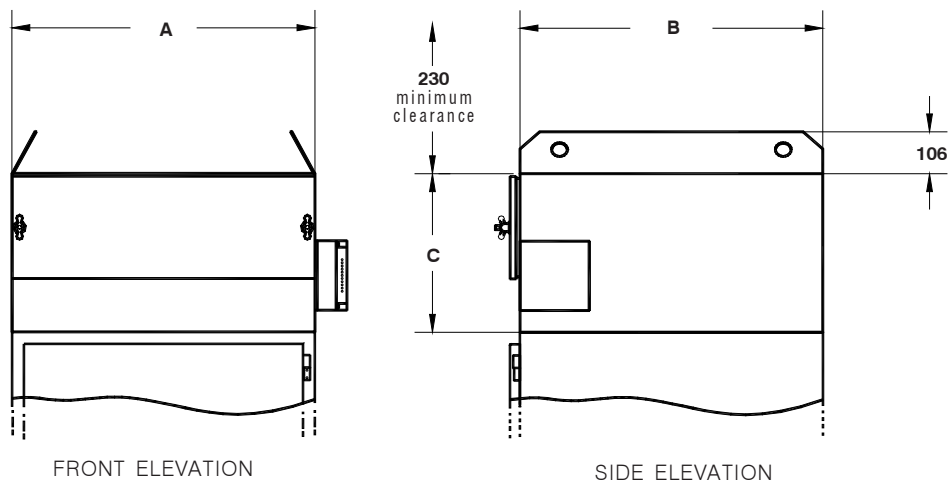
OPTIONAL EXPLOSION RELIEF FLANGE MOUNTING DETAILS

All holes drilled $\varnothing 10$ mm for M8 bolts.



Unimaster acoustic diffuser
Model UMA 150 illustrated

Type	ACOUSTIC DIFFUSER			Net weight (approx.)
	DIMENSIONS in mm			
	A	B	c	
UMA 70	580	580	205	15 kg
UMA 100	770	580	285	20 kg
UMA 150	770	770	255	20 kg
UMA 250	1150	770	285	25 kg



Unimaster secondary filter / absolute filter
Model UMA 150 illustrated. *Secondary filter and absolute filter not available for UMA72 dust collector

Type	SECONDARY FILTER / ABSOLUTE FILTER			Net weight (approx.)
	DIMENSIONS in mm			
	A	B	c	
UMA 70	-	-	-	-
UMA 100	770	580	400	35 kg
UMA 150	770	770	400	50 kg
UMA 250	1150	770	400/535	65/80 kg

Australasia Regional Office

Donaldson Australasia Pty Ltd
26 Meredith Street
Bankstown NSW2200
Australia
Tel: (61)28 713 1300
Fax: (61)28 713 1333

South Asia Regional Office

Donaldson India Filter Systems Pvt. Ltd
Naharpur Kassar, Dist. Gurgaon 122 001
Haryana, India
Tel: (91) 124 2290 * 351/350/312/060
Fax: (91) 124 2290 * 311

Greater China Regional Office

Donaldson Far East Limited
Unit A, B & C, 21/F CDW Building
388 Castle Peak Road
Tsuen Wan, N.T. Hong Kong
Tel: (852) 2405 8393
Fax: (852) 2493 2928

East Asia Regional Office

Nippon Donaldson. Ltd
1-8-7 Nishiki-cho
Tachikawa-shi, Tokyo 190-0022
Japan
Tel: (81) 42 540 4114
Fax: (81) 42 540 4470



www.donaldson.com

Manufacturing Facility

Donaldson (Wuxi) Filters Co., Ltd.
NO. 8 Xi Kun Road,
Wuxi-Singapore Industrial Park
Wuxi, Jiangsu, P.R. China
Tel: (86) 510 5282010
Fax: (86) 510 5280542

Southeast Asia Regional Office

Asia Pacific Headquarters

Donaldson Filtration (Asia Pacific) Pte. Ltd.
No 3, Changi Business Park Vista #02-00
Singapore 486051
Tel: (65) 6311 7373
Fax: (65) 6311 7399